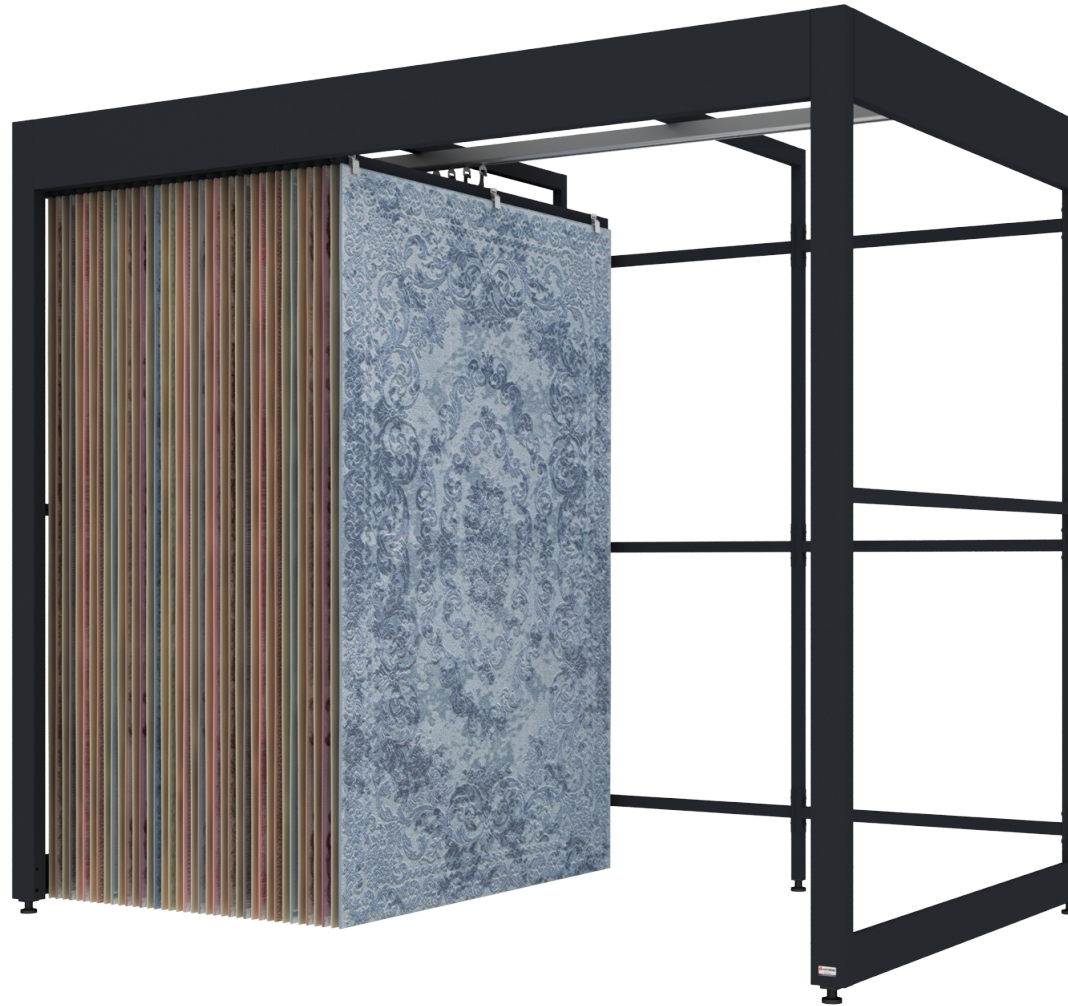
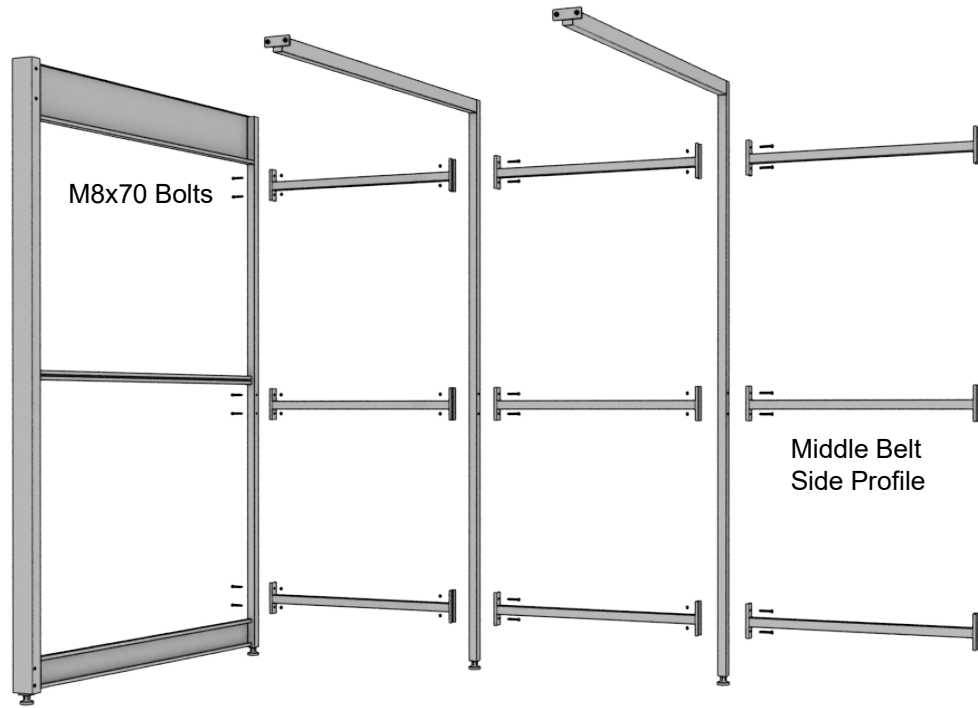


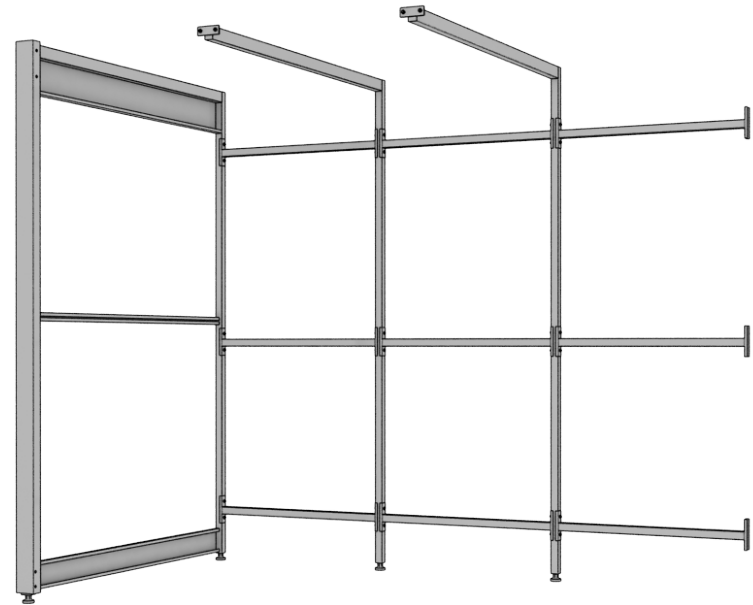
# ASSEMBLING INSTRUCTIONS OF MONORAIL SYSTEM



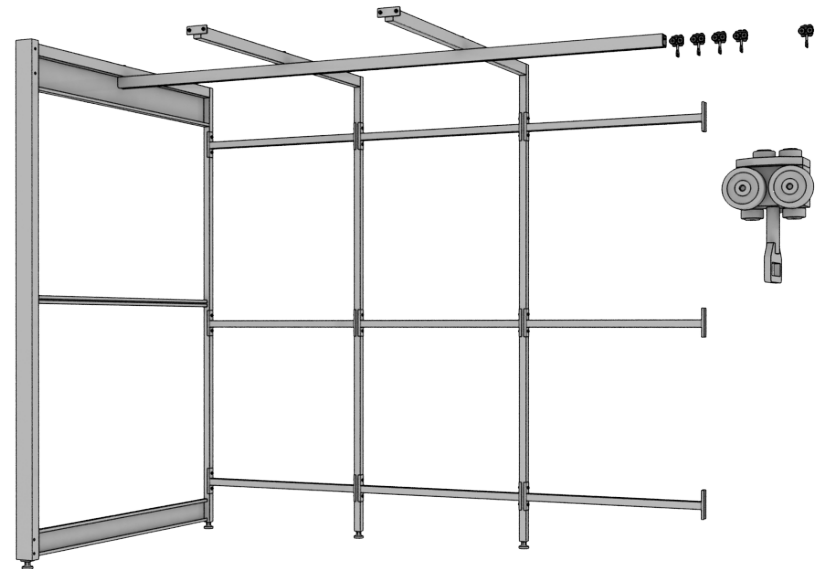
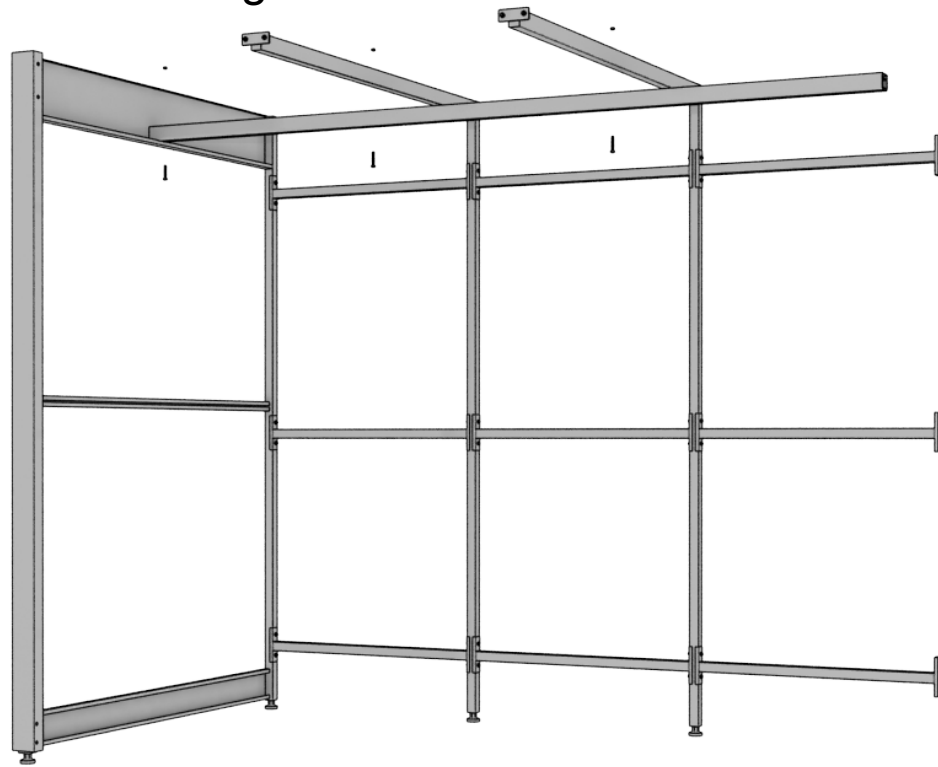
# Assembling of the partitions



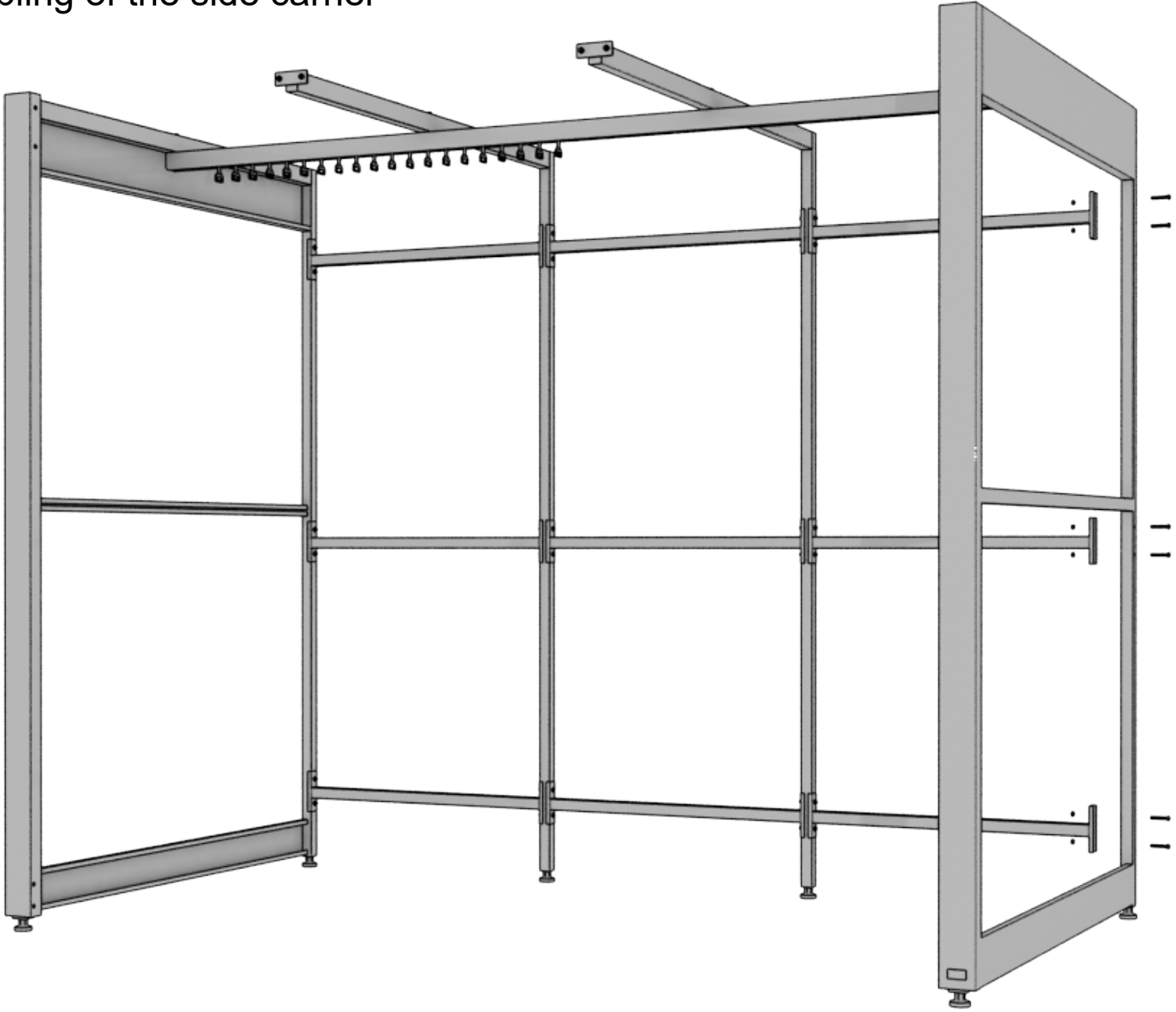
Side Carrier



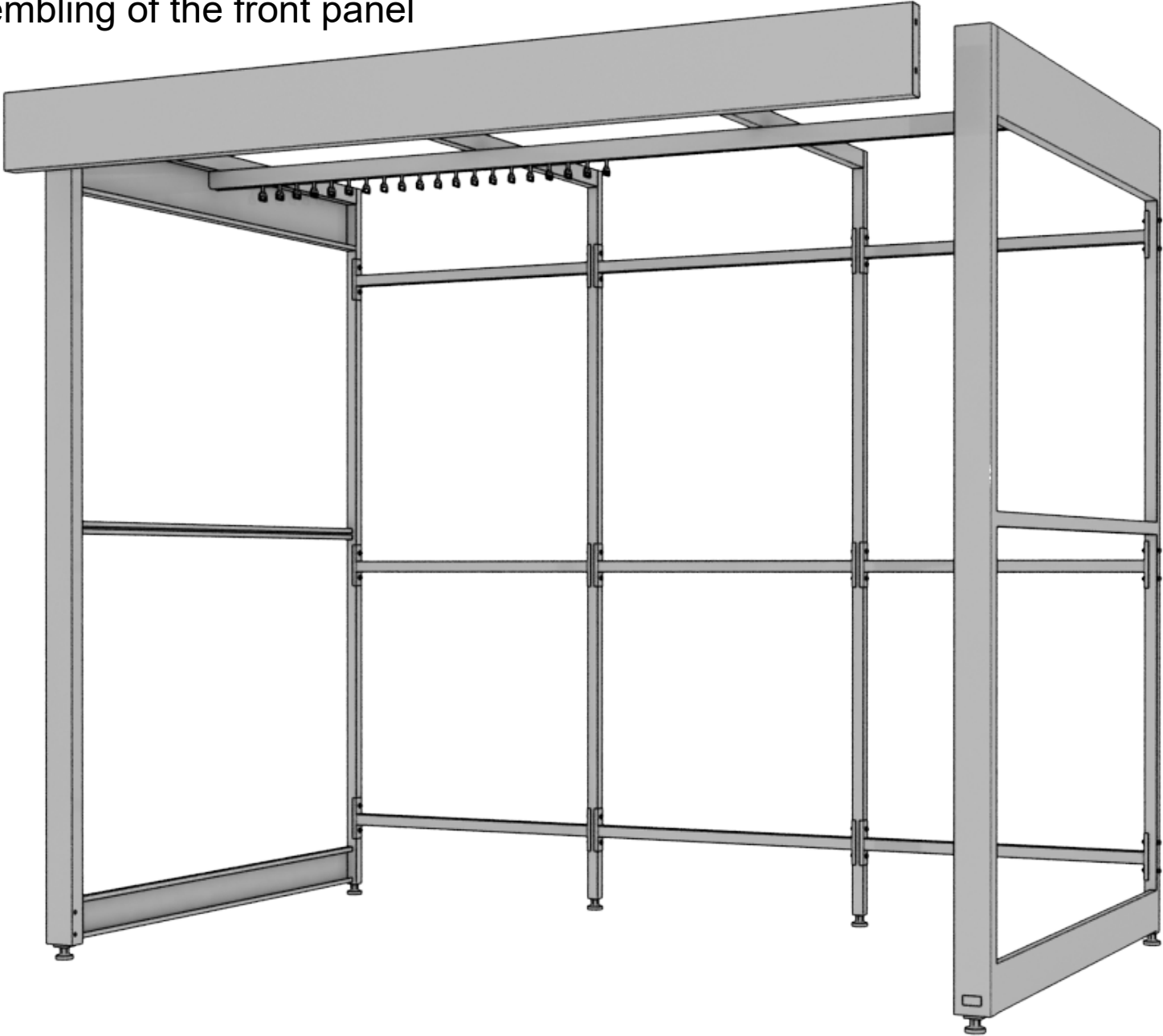
# Assembling of the rail and wheels



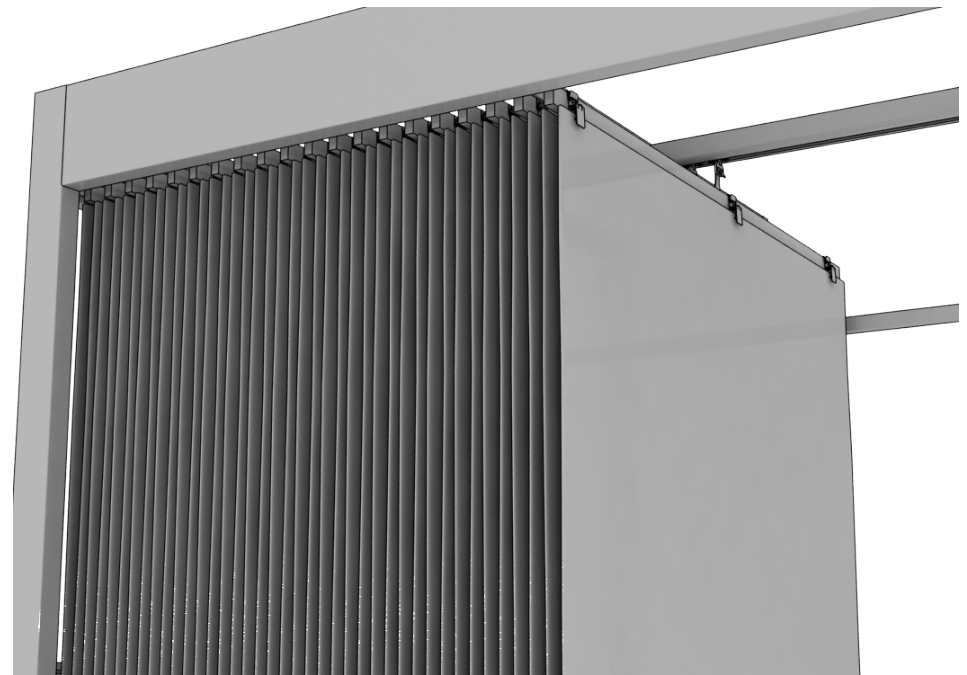
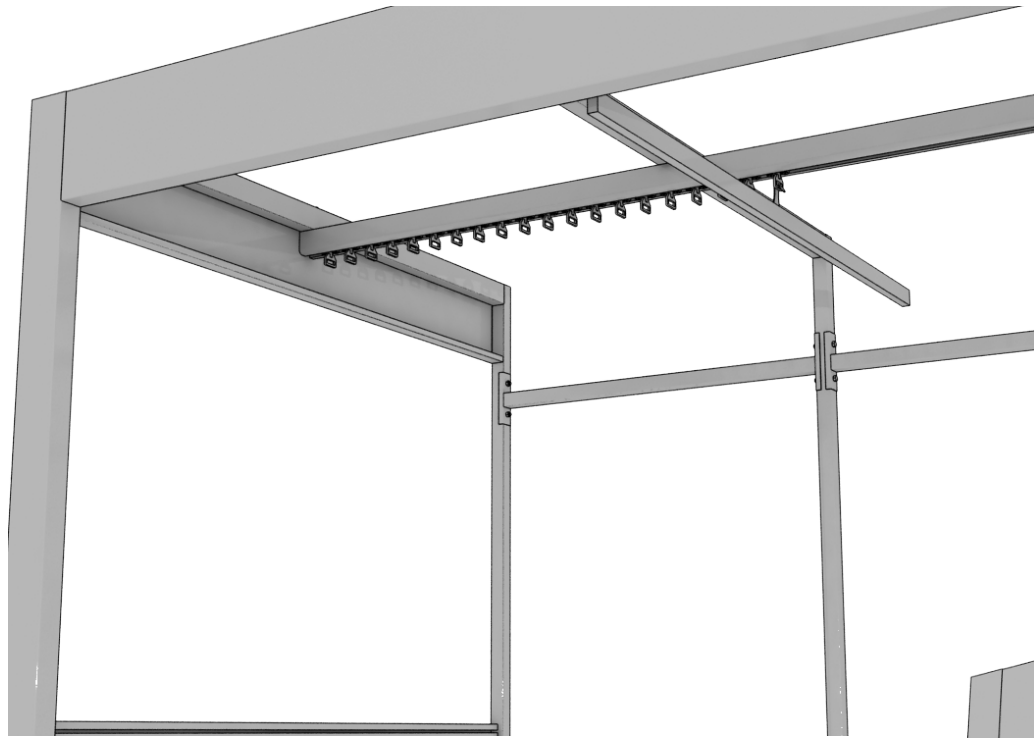
Assembling of the side carrier



Assembling of the front panel



Plug carpet carriers and carpet clamps



Complete assembling.

